

Specifications

備注(Remark)

1. 材料(Material)

膠芯:PA9T /LCP+30%G.F UL94V-0, 顏色:黑色

Housing:PA9T/LCP+30%G.F UL94V-0, Color:Black
端子:磷銅

Contact:Phosphor Bronze

2. 特性(characteristics):

額定電流:3.00AMP

Rating Current:3.00AMP

接觸阻抗:20mΩ Max

Contact Resistance:20mΩ Max

絕緣阻抗:1000MΩ Min

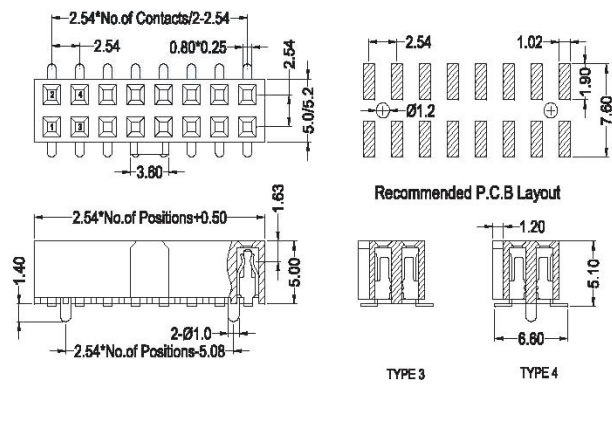
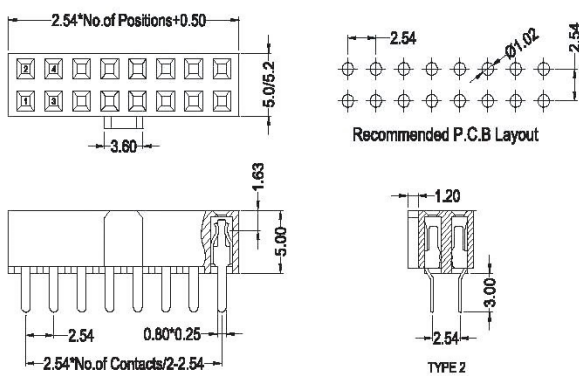
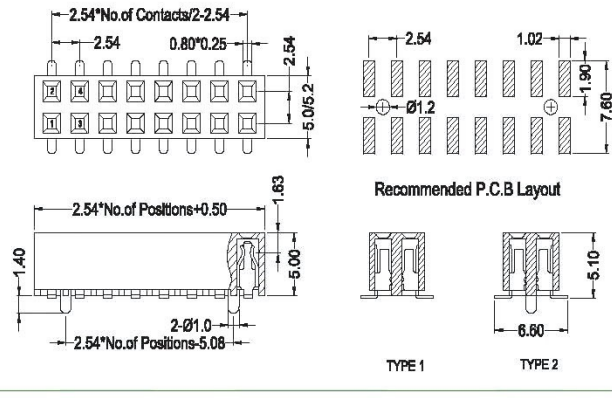
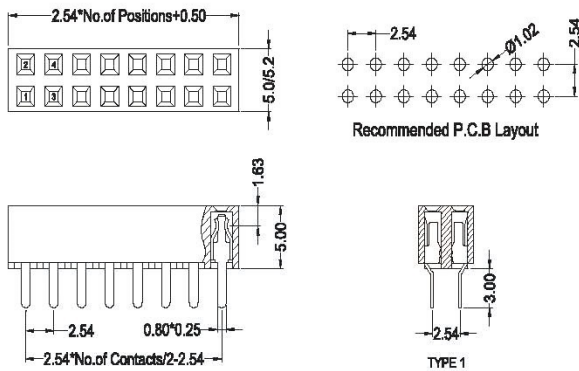
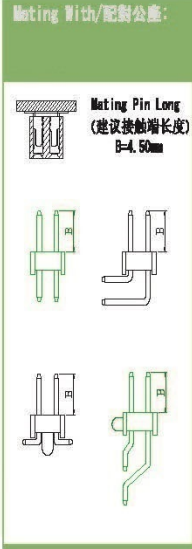
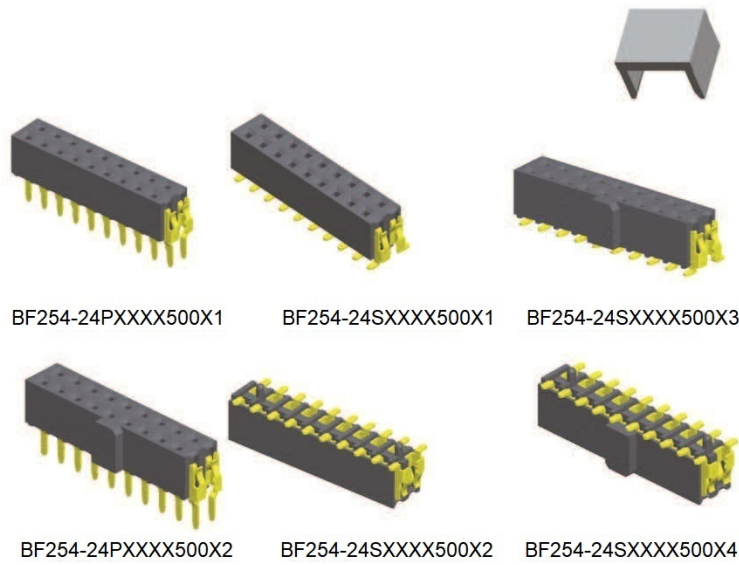
Insulating Resistance:1000 MΩ Min

耐電壓: AC 1000V/分钟

Withstanding Voltage:AC 1000V/Minute

溫度範圍: -40° C to+105° C

Temperature Range: -40° C to+105° C



FEMALE HEADER

BF254-24

X

XX

XX

500

X

X

X

Contact Shape:
P: Straight
S: SMT

No. Of Pins Per Row
02~40P

Contact Plating
Full Of Gold
G0=0.8u"
G9=30u"
S1=Ordinary Tin Plated
S2=Matte Tin Plated
S3=Tin-plated High-temperature

Packing
A: PE Bag
R: Tape & Reel
T: Tube
D: Tube+CAP
E: Tray

Journal Number
1: Type1 (without Post)
2: Type2 (with Post)
3: Type3
4: Type4

Width Number
A: 5.00mm
B: 5.20mm